



Lighting Designer : Romain Dronne

Email : [romaindronne@me.com](mailto:romaindronne@me.com)

Cell : +33 681 939 120

Wysiwyg file available on request

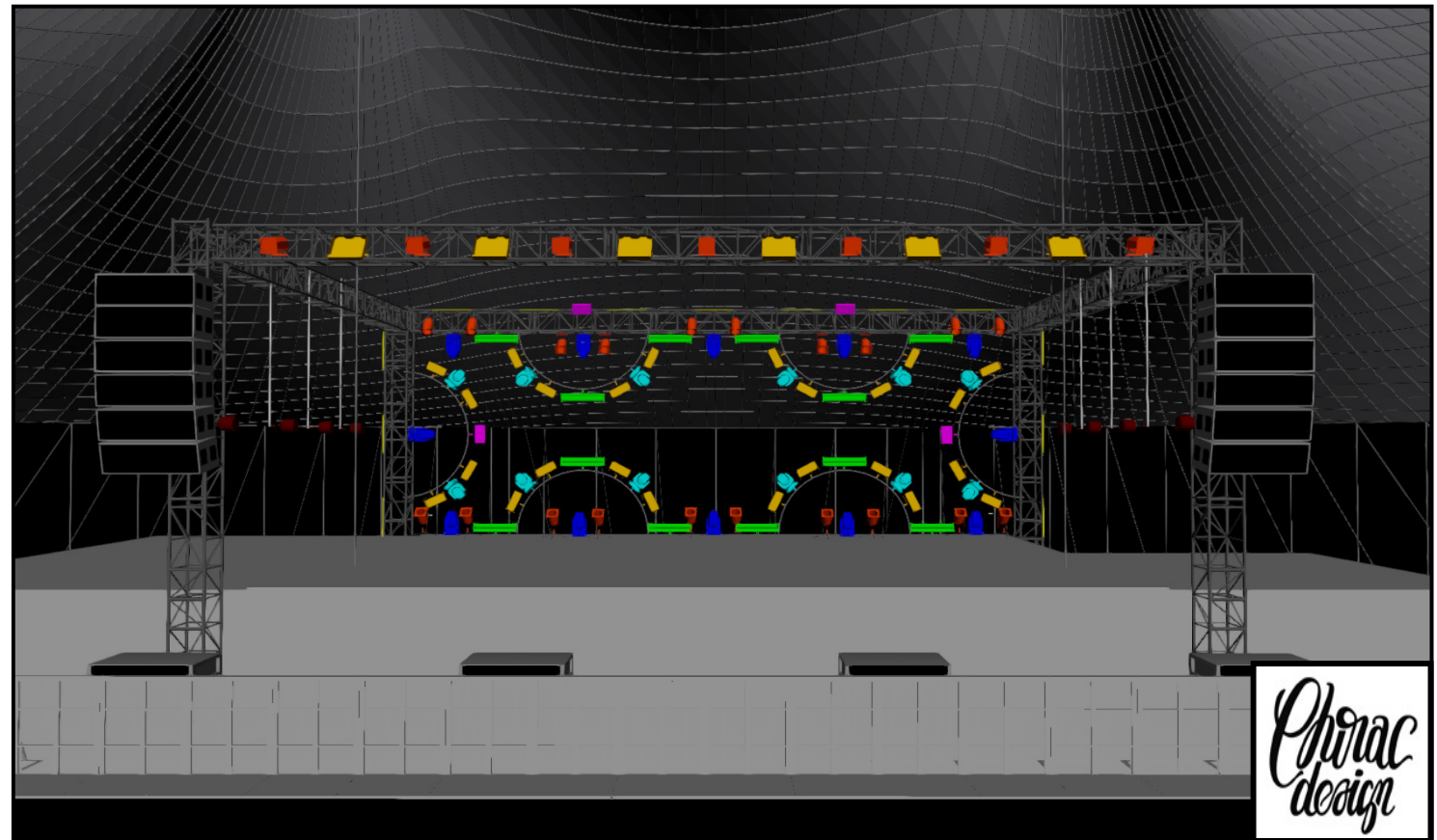
Feel free to contact me for any questions.

Main Desk : GrandMA 2 Full size

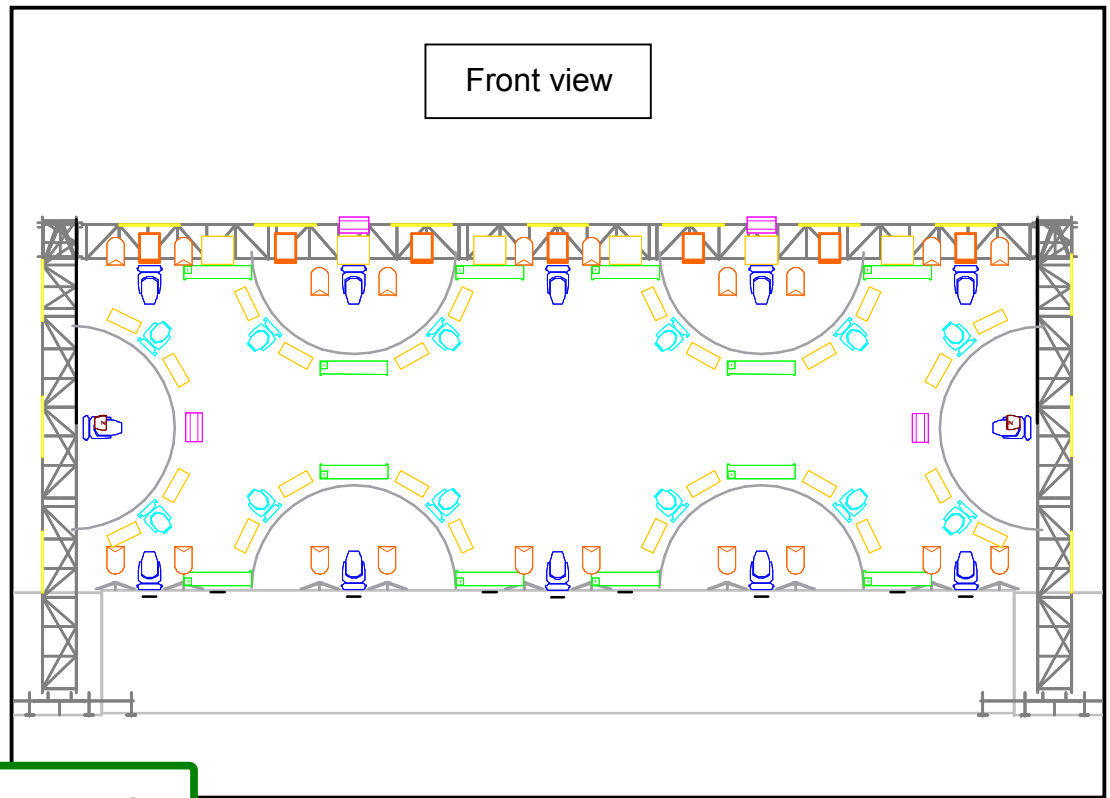
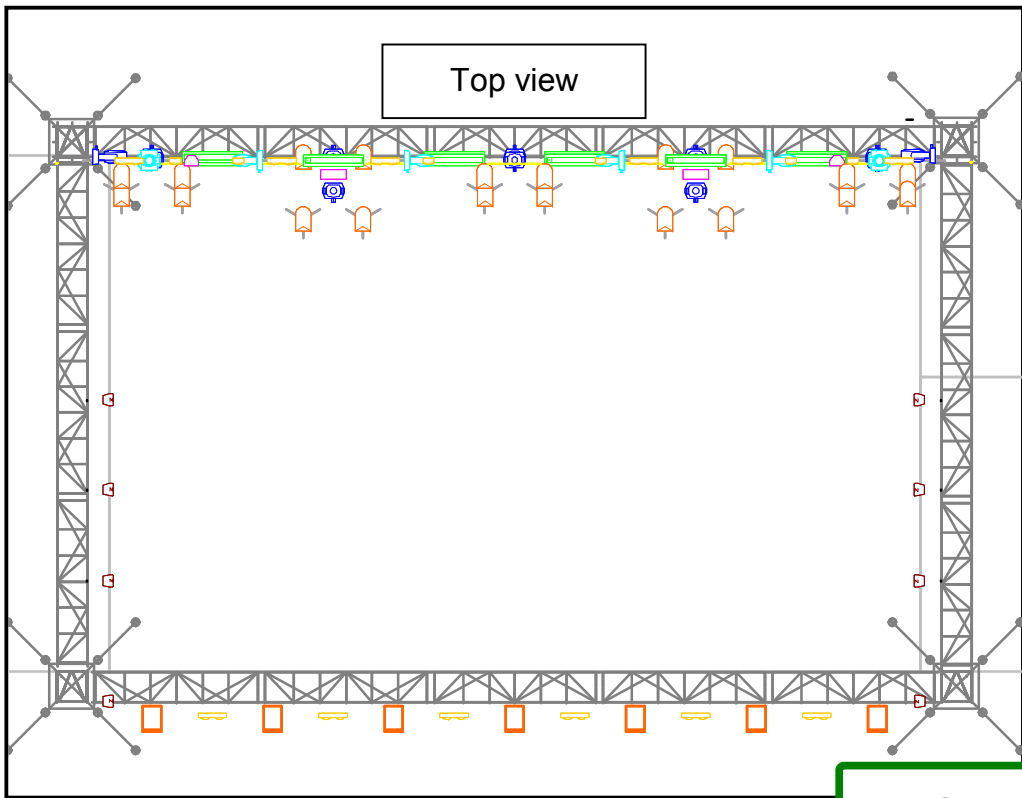
Remote : Lighcommander 48/96

Festival's light kit on 4 DMX universes via Arnet or DMX.

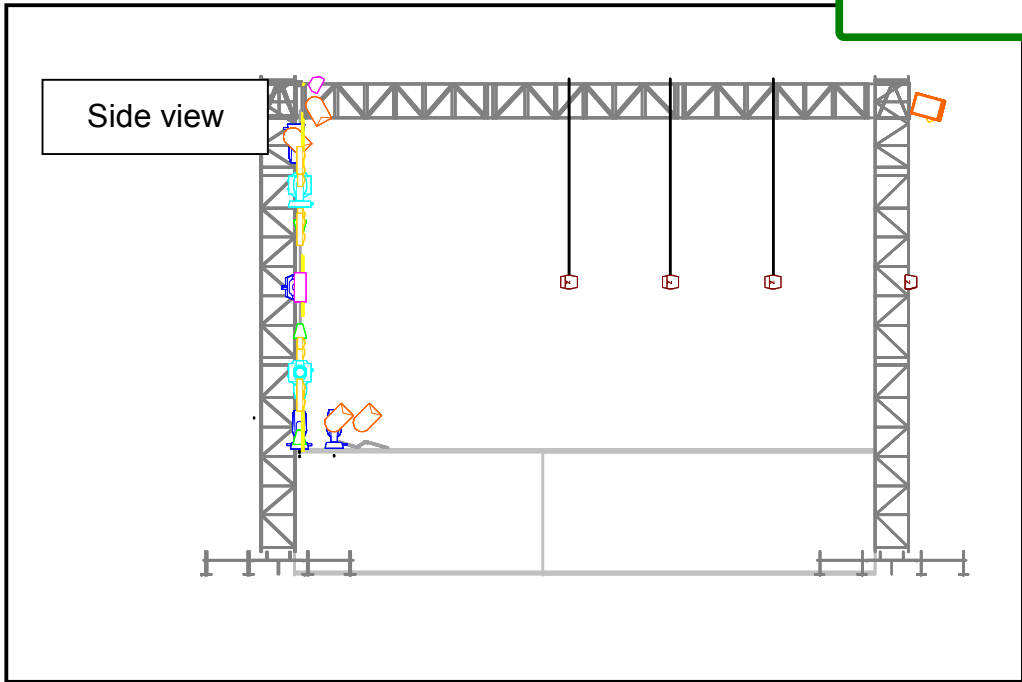
Symbol	Name	Count
	Robin Pointe	12
	Robin CycFX 8	12
	Sharp Wash 330	12
	Atomic 3000	4
	Elidy-Strip 15	13
	FL1300	24
	PAR 64	20
	Molefay 4 lamps	6
	PC 2Kw	7
	Starway PAR Led SupraKolor	8
	MDG 3000	1



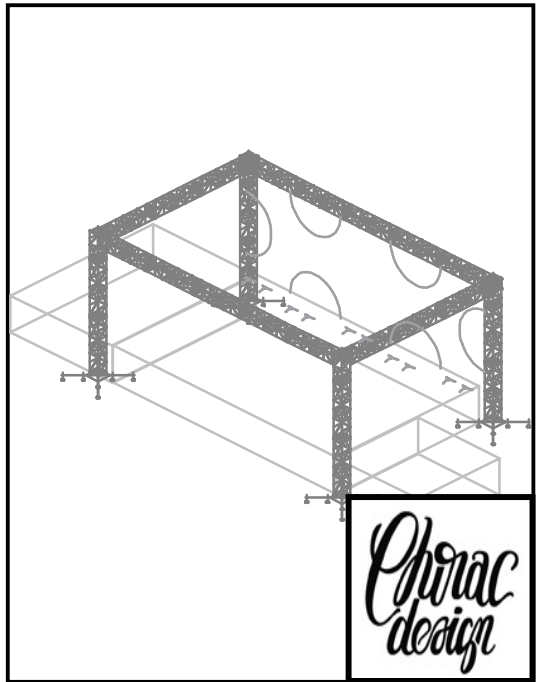
*Phnac  
design*



# LIGHT PLANS

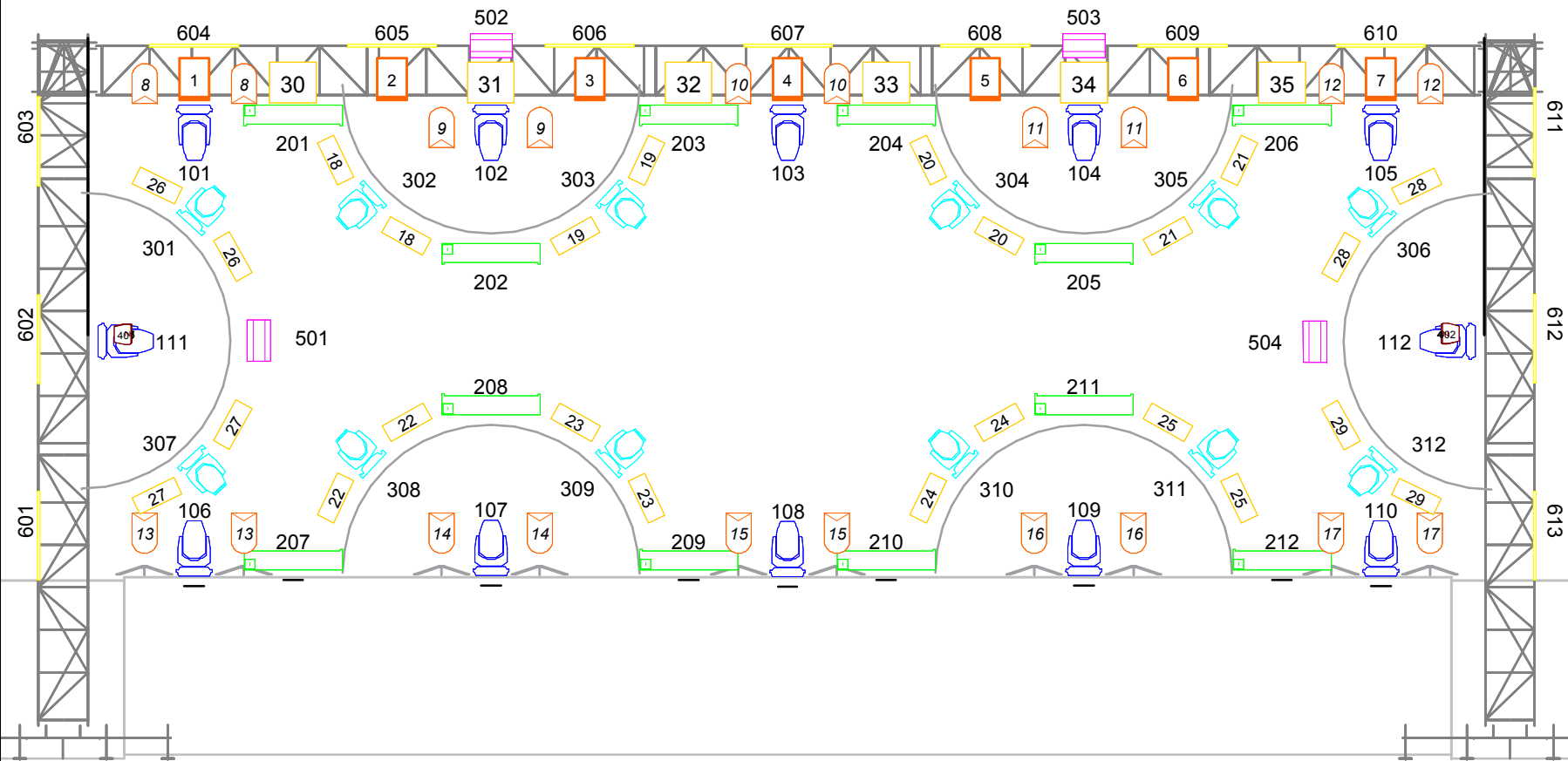


	Count
Robin Pointe	12
Robin CycFX 8	12
Sharpy Wash 330	12
Atomic 3000	4
Elidy-Strip 15	13
FL1300	24
PAR 64	20
Molefay 4 lamps	6
PC 2Kw	7
Starway PAR Led SupraKolor	8
MDG 3000	1



# iD & Channels

Symbol	Name
	Robin Pointe
	Robin CycFX 8
	Sharpy Wash 330
	Atomic 3000
	Elidy-Strip 15
	FL1300
	PAR 64
	Molefay 4 lamps
	PC 2Kw
	Starway PAR Led SupraKolor
	...

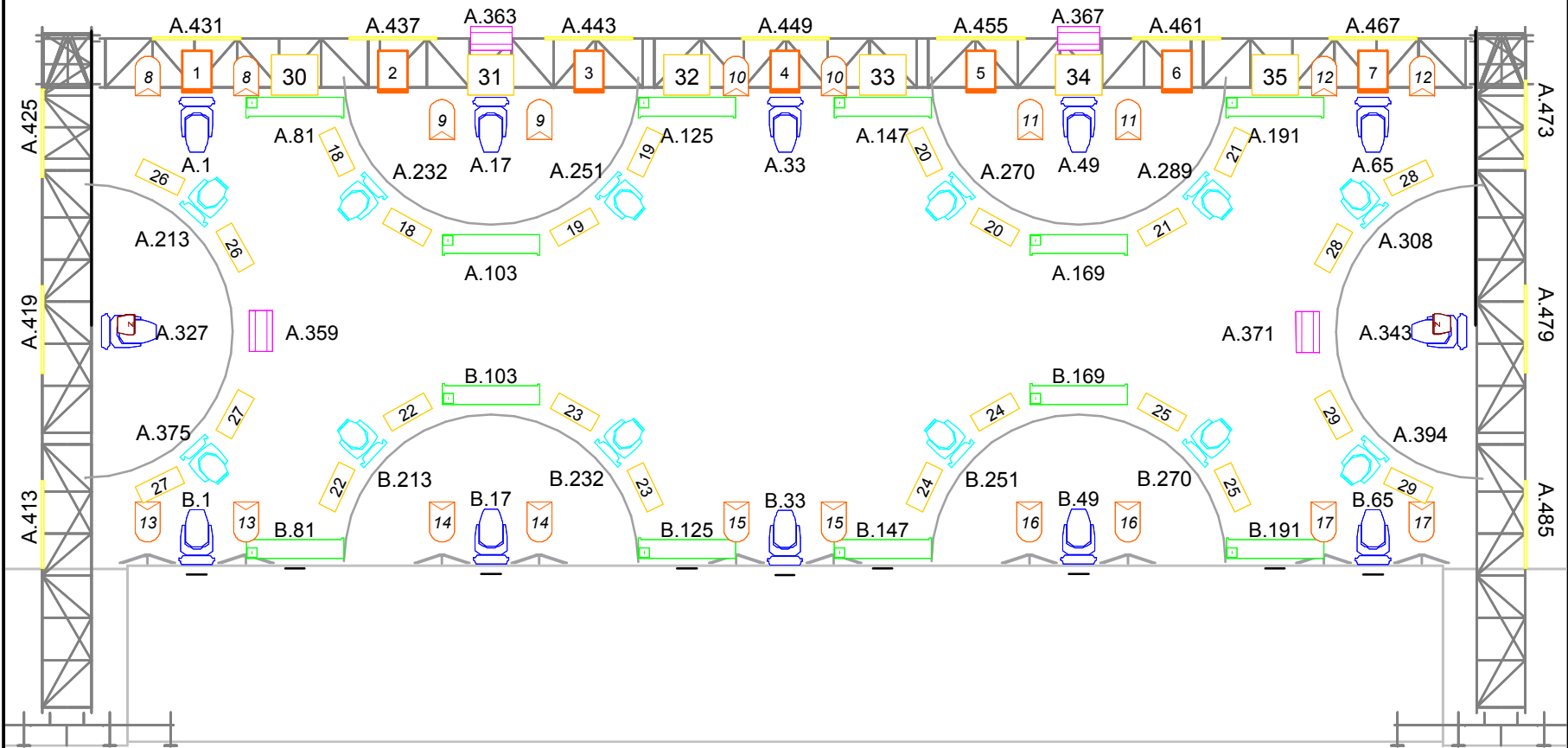


Front view



# DMX

Symbol	Name
	Robin Pointe
	Robin CycFX 8
	Sharpay Wash 330
	Atomic 3000
	Elidy-Strip 15
	FL1300
	PAR 64
	Molefay 4 lamps
	PC 2Kw
	Starway PAR Led SupraKolor



Front view





## 1 SPOT

ID	Fixture	Uni.	Address
101	Robin Pointe mode 2 - 16ch	1(A)	1
102	Robin Pointe mode 2 - 16ch	1(A)	17
103	Robin Pointe mode 2 - 16ch	1(A)	33
104	Robin Pointe mode 2 - 16ch	1(A)	49
105	Robin Pointe mode 2 - 16ch	1(A)	65
106	Robin Pointe mode 2 - 16ch	2(B)	1
107	Robin Pointe mode 2 - 16ch	2(B)	17
108	Robin Pointe mode 2 - 16ch	2(B)	33
109	Robin Pointe mode 2 - 16ch	2(B)	49
110	Robin Pointe mode 2 - 16ch	2(B)	65
111	Robin Pointe mode 2 - 16ch	1(A)	327
112	Robin Pointe mode 2 - 16ch	1(A)	343

## 2 WASH

ID	Fixture	Uni.	Address
101	Robin Pointe mode 2 - 16ch	1(A)	1
102	Robin Pointe mode 2 - 16ch	1(A)	17
103	Robin Pointe mode 2 - 16ch	1(A)	33
104	Robin Pointe mode 2 - 16ch	1(A)	49
105	Robin Pointe mode 2 - 16ch	1(A)	65
106	Robin Pointe mode 2 - 16ch	2(B)	1
107	Robin Pointe mode 2 - 16ch	2(B)	17
108	Robin Pointe mode 2 - 16ch	2(B)	33
109	Robin Pointe mode 2 - 16ch	2(B)	49
110	Robin Pointe mode 2 - 16ch	2(B)	65
111	Robin Pointe mode 2 - 16ch	1(A)	327
112	Robin Pointe mode 2 - 16ch	1(A)	343

## PATCH LIST

### 3 BEAM

ID	Fixture	Uni.	Address
301	Sharpy wash 330 std - 19ch	1(A)	213
302	Sharpy wash 330 std - 19ch	1(A)	232
303	Sharpy wash 330 std - 19ch	1(A)	251
304	Sharpy wash 330 std - 19ch	1(A)	270
305	Sharpy wash 330 std - 19ch	1(A)	289
306	Sharpy wash 330 std - 19ch	1(A)	308
307	Sharpy wash 330 std - 19ch	1(A)	375
308	Sharpy wash 330 std - 19ch	2(B)	213
309	Sharpy wash 330 std - 19ch	2(B)	232
310	Sharpy wash 330 std - 19ch	2(B)	251
311	Sharpy wash 330 std - 19ch	2(B)	270
312	Sharpy wash 330 std - 19ch	1(A)	394

### 4 PAR LED

ID	Fixture	Uni.	Address
401	Suprakolor Tour mode 12ch	3(C)	1
402	Suprakolor Tour mode 12ch	3(C)	13
403	Suprakolor Tour mode 12ch	3(C)	25
404	Suprakolor Tour mode 12ch	3(C)	37
405	Suprakolor Tour mode 12ch	3(C)	49
406	Suprakolor Tour mode 12ch	3(C)	61
407	Suprakolor Tour mode 12ch	3(C)	73
708	Suprakolor Tour mode 12ch	3(C)	85

## 5 STROB

ID	Fixture	Uni.	Address
501	Atomic 3000 - 4ch	1(A)	359
502	Atomic 3000 - 4ch	1(A)	363
503	Atomic 3000 - 4ch	1(A)	367
504	Atomic 3000 - 4ch	1(A)	371

## 6 STRIP

ID	Fixture	Uni.	Address
601	Eledy strip 15 - 6ch	1(A)	413
602	Eledy strip 15 - 6ch	1(A)	419
603	Eledy strip 15 - 6ch	1(A)	425
604	Eledy strip 15 - 6ch	1(A)	431
605	Eledy strip 15 - 6ch	1(A)	437
606	Eledy strip 15 - 6ch	1(A)	443
607	Eledy strip 15 - 6ch	1(A)	449
608	Eledy strip 15 - 6ch	1(A)	455
609	Eledy strip 15 - 6ch	1(A)	461
610	Eledy strip 15 - 6ch	1(A)	467
611	Eledy strip 15 - 6ch	1(A)	473
612	Eledy strip 15 - 6ch	1(A)	479
613	Eledy strip 15 - 6ch	1(A)	485

## DIMMERS

Chann	Type	Patch
1	PC 2 KW	D.1
2	PC 2 KW	D.2
3	PC 2 KW	D.3
4	PC 2 KW	D.4
5	PC 2 KW	D.5
6	PC 2 KW	D.6
7	PC 2 KW	D.7
8	PAR 64 1KW (x2)	D.8
9	PAR 64 1KW (x2)	D.9
10	PAR 64 1KW (x2)	D.10
11	PAR 64 1KW (x2)	D.11
12	PAR 64 1KW (x2)	D.12
13	PAR 64 1KW (x2)	D.13
14	PAR 64 1KW (x2)	D.14
15	PAR 64 1KW (x2)	D.15
16	PAR 64 1KW (x2)	D.16
17	PAR 64 1KW (x2)	D.17
18	FL 1300 (x2)	D.18

Chann	Type	Patch
19	FL 1300 (x2)	D.19
20	FL 1300 (x2)	D.20
21	FL 1300 (x2)	D.21
22	FL 1300 (x2)	D.22
23	FL 1300 (x2)	D.23
24	FL 1300 (x2)	D.24
25	FL 1300 (x2)	D.25
26	FL 1300 (x2)	D.26
27	FL 1300 (x2)	D.27
28	FL 1300 (x2)	D.28
29	FL 1300 (x2)	D.29
30	MOLE 4	D.30
31	MOLE 4	D.31
32	MOLE 4	D.32
33	MOLE 4	D.33
34	MOLE 4	D.34
35	MOLE 4	D.35
36	GUEST FREE DIMMER	D.36

